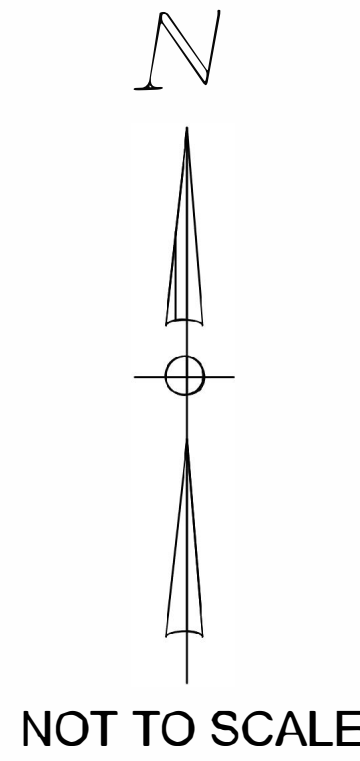


FILE PATH: L:\Legacy\USHOU1FS001\Prod\Projects\PWD\City Of Houston\60331306 - GreensRD-East\Phase-2\900 Cadd\Exhibits\240417 Greens Rd Vicinity Map\60331306-Vicinity_Map_Exhibit.dwg PLOTTED: 4/18/2024 10:32 AM PLOT STYLE: COH.ctb



PROJECT LOCATION

APPROXIMATE LOCATION OF EX SUNOCO PIPELINES

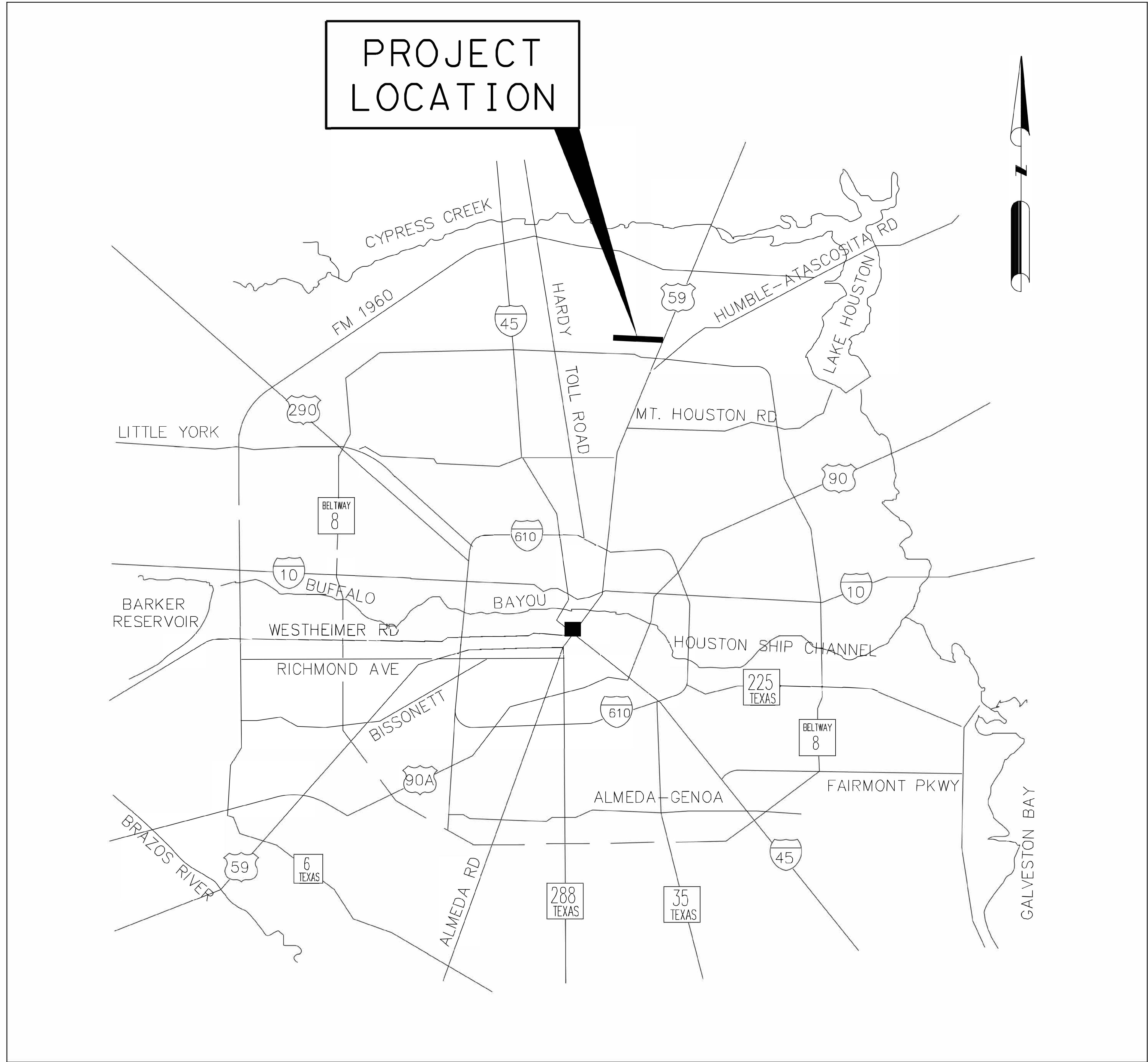


VICINITY MAP
NTS
KEY MAP NO. 374P, Q, R, 375N

GREENS ROAD (JFK BLVD TO US 59)
COUNCIL DISTRICT B
KEY MAP PAGE & GRID 374P,Q,R, 375N

AECOM
19219 KATY FREEWAY
SUITE 100
HOUSTON, TX 77094
TEL: 281-646-2400
TBPE REG NO. F-3580

SCALE: NOT TO SCALE | WBS NO.: N-000664-0002-7 | DATE: APRIL, 2024



LOCATION MAP
NTS

GREENS ROAD (JFK BLVD TO US 59)
COUNCIL DISTRICT B
KEY MAP PAGE & GRID 374P,Q,R, 375N



19219 KATY FREEWAY
SUITE 100
HOUSTON, TX 77094
TEL: 281-646-2400
TBPE REG NO. F-3580